

Stochastic Learning and Optimization - A Sensitivity-Based Approach^{*}

Xi-Ren Cao^{*}

^{*} *Department of Electrical and Electronic Engineering, The Hong Kong University of Science and Technology, Clear Water Bay, Kowloon, Hong Kong, China, (e-mail: eecao@ust.hk)*

Abstract: We introduce a sensitivity-based view to the area of learning and optimization of stochastic dynamic systems. We show that this sensitivity-based view provides a unified framework for many different disciplines in this area, including perturbation analysis, Markov decision processes, reinforcement learning, and identification and adaptive control. Many results can be simply derived and intuitively explained by using two performance sensitivity formulas. In addition, we show that this sensitivity-based view opens up new directions for future research. For example, the event-based optimization, which has advantages over the state-based approaches, may be developed with this sensitivity-based view.

1. INTRODUCTION

Performance optimization plays an important role in the design and operation of modern engineering systems in many areas, including communications (Internet and wireless networks), manufacturing, logistics, robotics, and bioinformatics. Most engineering systems are too complicated to be analyzed, or the parameters of the system models cannot be easily obtained. Therefore, learning techniques have to be applied.

Learning and optimization of stochastic systems is a multi-disciplinary area that has attracted wide attention from researchers in many disciplines including control systems, operations research, and computer science. Areas such as perturbation analysis (PA) in discrete event dynamic systems (DEDSs), Markov decision processes (MDPs) in operations research, reinforcement learning (RL) in computer science, neuro-dynamic programming (NDP), identification, and adaptive control (I&AC) in control systems, share a common goal: to make the “best decision” to optimize a system’s performance.

Different disciplines take different perspectives and have different formulations for the problems with the same goal. In this paper, we introduce a sensitivity point of view to the area of learning and optimization, which provide a unified framework for the different disciplines, including PA, MDPs, RL, and I&AC. We show that the many results can be derived simply and explained clearly and intuitively from two performance sensitivity (difference and derivative) formulas. In addition, we show that with this sensitivity-based view, new approaches such as the event-based optimization can be developed.

^{*} A plenary talk at the 17th World Congress of International Federation of Automatic Control, Seoul, Korea, July 2008. This work is supported by a grant from Hong Kong UGC (No. 610806).

2. AN OVERVIEW OF LEARNING AND OPTIMIZATION

The goal of learning and optimization is to make the “best” decisions to optimize, or to improve, the performance of a system based on the information obtained by observing and analyzing the system’s behavior. A system’s behavior is usually represented by a model, or by the sample paths (also called *trajectories*) of the system. A *sample path* is a record of the operation history of a system.

In this talk, we mainly discuss stochastic dynamic systems. A dynamic system evolves as time passes. It is generally easier to explain the ideas with a discrete time model, in which time takes discrete values denoted as $l = 0, 1, 2, \dots$. In addition to its dynamic nature, a stochastic system is always subject to random influences caused by noise or other uncertainties.

States, Actions, and Observations

To study the system behavior, we need to describe precisely the system’s status. A system’s status at any time $l = 0, 1, \dots$ can be represented by a quantity called the system’s *state* at time l , denoted as X_l , $l = 0, 1, \dots$. The *state space* (i.e., the set of all states) is denoted as \mathcal{S} , which may be either discrete or continuous. For simplicity, in this talk we assume it is finite and denote it as $\mathcal{S} = \{1, 2, \dots, S\}$. A *sample path* of a system is a record of state history denoted as $\mathbf{X} = \{X_0, X_1, \dots\}$. In stochastic dynamic systems, X_l , $l = 0, 1, \dots$, are random variables (may be multi-dimensional random vectors). A system’s dynamic behavior is then represented by its sample paths. We denote a “finite-length” sample path as $\mathbf{X}_l := \{X_0, X_1, \dots, X_l\}$.

In optimization problems, at any time l , we can apply an *action*, denoted as $A_l \in \mathcal{A}$, $l = 0, 1, \dots$, where \mathcal{A} is an action space, to the system. In this talk, we assume that \mathcal{A} contains a finite number of actions, but in general it may contain infinitely many actions, or may even be a continuous space. The actions A_0, A_1, \dots may affect the evolution

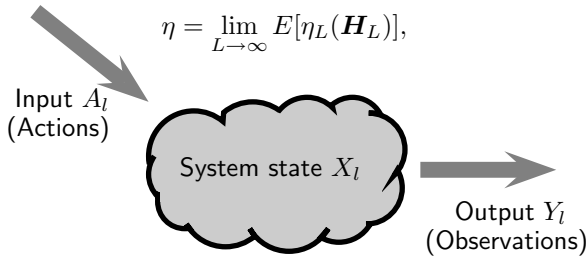


Fig. 1. A Model of Learning and Optimization

of the system. Because the actions affect the system behavior, the operation history of a system should include the actions. Let $\mathbf{A}_{l-1} := \{A_0, A_1, \dots, A_{l-1}\}$ denote an action history with a finite length and $\mathbf{A} := \{A_0, A_1, \dots\}$ denote an infinitely long action history. Taking the actions into consideration, we denote a sample path as $\mathbf{H} := (\mathbf{X}, \mathbf{A})$, or $\mathbf{H}_l := (\mathbf{X}_l, \mathbf{A}_{l-1})$.

In many cases, the system's state cannot be exactly observed, and we can only observe a random variable Y_l at time l that is related to X_l , $l = 0, 1, \dots$. The observation history is denoted as $\mathbf{Y} := \{Y_0, Y_1, \dots\}$, or $\mathbf{Y}_l := \{Y_0, Y_1, \dots, Y_l\}$. In such cases, we say that the system is partially observable. The information history up to time l is $\mathbf{H}_l := (\mathbf{Y}_l, \mathbf{A}_{l-1})$. When $Y_l = X_l$, for all $l = 0, 1, \dots$, we say that the system is completely observable. In such cases, we have $\mathbf{H}_l = (\mathbf{X}_l, \mathbf{A}_{l-1})$. Note that even for partially observable systems, we reserve the word "sample path" for $\mathbf{H}_l = (\mathbf{X}_l, \mathbf{A}_{l-1})$, or $\mathbf{H} = (\mathbf{X}, \mathbf{A})$.

Rewards and Performance Measures

Associated with each sample path $\mathbf{H}_L = (\mathbf{X}_L, \mathbf{A}_{L-1})$, there is a reward denoted as $\eta_L(\mathbf{H}_L)$. Because the states \mathbf{X}_L and the actions \mathbf{A}_{L-1} are generally random, $\eta_L(\mathbf{H}_L)$ is usually a random variable. For finite-length problems, $\eta_L(\mathbf{H}_L)$ represents the total reward received when the system is going through the sample path \mathbf{H}_L . The performance measure η (or simply called the performance) is defined as the mean of the sample-path-based rewards

$$\eta = E[\eta_L(\mathbf{H}_L)]. \quad (1)$$

For sample paths with infinitely long lengths, the performance measure η is defined as the limit of the mean rewards

$$\eta = \lim_{L \rightarrow \infty} E[\eta_L(\mathbf{H}_L)], \quad (2)$$

in which we assume that both the expectation and limit exist. In this case, $\eta_L(\mathbf{H}_L)$ usually represents the average reward per step received by the system during the operation.

The Learning and Optimization Problem

A general description of the learning and optimization problem is illustrated by Figure 1. In the figure, the shaded area represents a stochastic dynamic system. The system is essentially a black box and it can only interact with the outside through its inputs and outputs. The inputs provide a vehicle to intervene or to control the operation of the system, and/or to affect the reward of the operation. The inputs are usually the actions taken that will affect the future evolution of the system. In

some other cases, an input can also control the system operation modes, or tune the values of system parameters, etc. In this terminology, setting different values for system parameters is viewed as taking different actions. It is usually assumed that the available actions are known to us (e.g., we know that we can accept or reject a packet in a communication system, or we can tune the rate of a transmission line to θ megabit/second). The outputs provide a window for observing the system. That is, the outputs are the observations Y_l , $l = 0, 1, \dots$. Associated with every system, there is a performance measure η .

The goal of an optimization problem is to answer the following question: *Based on the information we know about the system, i.e., the output history learned from observation and the input (action) history, what action should we take at a particular time so that we can obtain the best possible system performance?*

The information history $\mathbf{H}_l = \{\mathbf{Y}_l, \mathbf{A}_{l-1}\}$, with $\mathbf{Y}_l = \{Y_0, Y_1, \dots, Y_l\}$ being the observation history and $\mathbf{A}_{l-1} = \{A_0, A_1, \dots, A_{l-1}\}$ being the action history (with $\mathbf{A}_{-1} := \emptyset$), represents all the information available at time l before an action is taken at l , $l = 0, 1, \dots$. Based on this information, an action can be chosen by following some rules, called a policy, denoted as $d_l : A_l = d_l(\mathbf{H}_l)$, $A_l \in \mathcal{A}$. (This is called a deterministic policy.)

The optimization problem now becomes to find a policy that maximizes the system performance. Such a policy is called an optimal policy. When the number of policies is finite, such optimal policies always exist and may not be unique.

If we have a mathematical model for the system in Figure 1, the optimal policies might be found analytically; in many cases, however, mathematical model does not exist, and we need to observe and analyze the sample paths of the system to determine the performance and/or to make improvement decisions. This is called "learning". In engineering applications, at the design stage, sample paths can only be obtained by simulation following a system model; and while a system is operating, the paths can also be obtained by direct observation. If learning and optimization is implemented by simulation, the approach is called a simulation-based approach. With simulation, we may even let the system operate under policies that are not feasible in a real system. For real systems, performance optimization (or improvement) decisions can be made through learning the system behavior by observing its sample paths recorded while the system is operating without interruption; we call such an approach an on-line approach.

The Markov Model

The optimization problem formulated with the black-box system (its structure is completely unknown) shown in Figure 1 is too difficult to solve (see discussions in the next section). To develop specific optimization approaches, we need to introduce some structures into the system model. Perhaps the most widely used model for systems with discrete time and discrete states is the Markov model.

The word "state" is used in a strict sense in the Markov model (Çınlar [1975]). This means that given the current

state X_l , the system's future behavior $\{X_{l+1}, X_{l+2}, \dots\}$ is independent of its past history $\{X_0, X_1, \dots, X_{l-1}\}$, $l = 1, 2, \dots$. This is called the *Markov property*, and a stochastic process $\mathbf{X} = \{X_0, X_1, \dots\}$ satisfying Markov property is called a Markov chain. Intuitively, a state in a Markov chain completely captures the system's current status in regard to its future evolution.

The evolution of a Markov chain is determined by its transition probability matrix $P = [p(j|i)]_{i,j=1}^S$, where $p(j|i) = P(X_{l+1} = j | X_l = i)$ is the transition probability that the system moves to state j at time $l+1$ when it is in state i at time l . We assume that the system is homogenous so $p(j|i)$, $i, j \in \mathcal{S}$, do not depend on l . A (homogenous) Markov chain is called *irreducible*, if starting from any state i , the system can reach any other state $j \in \mathcal{S}$ in a finite number of steps. A Markov chain with a finite number of states is called *ergodic*, if it is irreducible and aperiodic (Çinlar [1975]). For an ergodic Markov chain, the steady-state probabilities

$$\pi(i) = \lim_{l \rightarrow \infty} P(X_l = i | X_0 = j), \quad i, j \in \mathcal{S},$$

exist, which do not depend on the initial state $j \in \mathcal{S}$. Let $\pi := (\pi(1), \dots, \pi(S))$ denote the (row) vector of the steady-state probabilities. Then we have

$$\pi = \pi P, \quad \pi e = 1, \quad (3)$$

where $e = (1, 1, \dots, 1)^T$ is a vector with all components being 1, and the superscript "T" denotes transpose.

With the Markov model, the actions control the transition probabilities of the state process. If action $\alpha \in \mathcal{A}$ is taken at time l (i.e., $A_l = \alpha$), then the transition probabilities at time l are denoted as $p^\alpha(X_{l+1}|X_l)$, $X_l, X_{l+1} \in \mathcal{S}$, $l = 0, 1, \dots$. With the Markov model, we further assume that there is a reward function denoted as $f(i, \alpha)$, $i \in \mathcal{S}$, $\alpha \in \mathcal{A}$. At time l , if the system is in state i and action $\alpha \in \mathcal{A}$ is taken, then the system receives a reward of $f(i, \alpha)$. With the reward function, many performance measure can be defined, including the discounted reward, total reward, etc. We mainly discuss the *long-run average reward* defined as

$$\eta = \lim_{L \rightarrow \infty} \frac{1}{L} E \left\{ \sum_{l=0}^{L-1} f(X_l, A_l) \middle| X_0 = i \right\}, \quad (4)$$

If the state process is an ergodic Markov chain (depending on A_l and $p^\alpha(X_{l+1}|X_l)$), the long-run average reward does not depend on the initial state and we have

$$\eta := \lim_{L \rightarrow \infty} \frac{1}{L} \sum_{l=0}^{L-1} f(X_l, A_l), \quad \text{w.p.1.}$$

In this talk, for simplicity, if not mentioned otherwise, we assume that the state X_l , $l = 0, 1, \dots$ can be observed exactly. The information history becomes $\mathbf{H}_l = (\mathbf{X}_l, \mathbf{A}_{l-1})$, and a policy becomes $A_l = d_l(\mathbf{X}_l, \mathbf{A}_{l-1})$, $A_l \in \mathcal{A}$. Because of the Markov property, if a state process is Markov, the current state X_l contains all the information in the system's history in regard to its future behavior. We may expect that in many cases a policy depending on only X_l may do as well as a policy depending on the entire history $\mathbf{H}_l = (\mathbf{X}_l, \mathbf{A}_{l-1})$ for controlling the system's future behavior. Therefore, we may only consider the policies

$$A_l = d_l(X_l), \quad l = 0, 1, \dots$$

Stationary and Randomized Policies

A policy $A_l = d_l(X_l)$, $X_l \in \mathcal{S}$, $A_l \in \mathcal{A}$, $l = 0, 1, \dots$, is called a *stationary policy* if it does not depend on time l ; such a policy is denoted as $A = d(X)$, $X \in \mathcal{S}$, which is a mapping from the state space \mathcal{S} to the action space \mathcal{A} . The action $d(i)$, $i \in \mathcal{S}$, controls the transition probabilities of state i . With a stationary policy d , the transition probabilities when the state is $i \in \mathcal{S}$ are denoted as $p^{d(i)}(j|i)$, $j \in \mathcal{S}$. The system under policy $d(X)$ is Markov, and the corresponding transition matrix is denoted as $P^d := [p^{d(i)}(j|i)]$. The reward function can be expressed as a column vector $f^d = (f(1, d(1)), \dots, f(S, d(S)))^T$. The effect of a policy d to the system can be completely described by (P^d, f^d) ; therefore, we may refer to a policy as (P^d, f^d) . In addition, we will simply use (P, f) as a generic notation for a policy. It is known (Puterman [1994]) that there exists a stationary policy that is optimal.

A (stationary) *randomized policy* $\nu = d(X)$ assigns a distribution ν over the action space \mathcal{A} for every state $X = i \in \mathcal{S}$; it is a mapping from the state space \mathcal{S} to the space of the distributions over the action space. For example, suppose that $\mathcal{A} = \{\alpha_1, \alpha_2, \dots, \alpha_M\}$. For any state $i \in \mathcal{S}$, a randomized policy assigns a distribution $\nu = (p_1(i), p_2(i), \dots, p_M(i))$ on \mathcal{A} . When the system state is i , we take action α_k with probability $p_k(i)$, $k = 1, 2, \dots, M$, $i \in \mathcal{S}$ and $\sum_{k=1}^M p_k(i) = 1$. A deterministic policy is a special case of a randomized policy ν where $p_k(i) = 1$ for some $k \in \{1, 2, \dots, M\}$, with k depending on i , $i \in \mathcal{S}$.

3. FUNDAMENTAL LIMITATIONS AND SEARCH METHODS

An optimization problem is to find an optimal policy in a given policy space \mathcal{A} . First, we observe that even for a small problem, the policy space is too large for us to handle. For example, for a (small) system with $S = 100$ states and $M = 2$ actions available in each state, the number of stationary policies is $M^S = 2^{100} \approx 10^{30}$! With the fastest PC (10Ghz) currently available to count the policies at a speed of 1 policy/hz, it requires 3×10^{12} years to finish!

Learning

To develop efficient algorithms for performance optimization, we need to explore the special features of a system. This process is called *learning*. For dynamic systems, learning may involve observing and analyzing a sample path of a system to obtain necessary information; this is in the normal sense of the word "learning", as it is used in research areas such as *reinforcement learning*. Simulation-based and on-line optimization approaches are based on learning from sample paths. On the other hand, we may also analytically study the behavior of a system under a policy to learn how to improve the system performance. In a wide sense, we shall also call this analytical process "learning".

Fundamental Limitations

Obviously, the task of learning and optimization is complicated and we are facing a vast forest and wish to

find a path in it to reach our destination at the top of a peak. It is wise to pause for a short while and take an overview of the forest from the outside to see which directions may possibly lead us to our goal quickly. Indeed, we are constrained by some philosophical and logical facts that significantly limit what we can do. These facts are simple and intuitively obvious, yet they provide general principles that chart the paths in our journey of developing optimization theories and methodologies. Because of the importance as well as the simplicity of these facts, we state them as the “fundamental limitations”:

The Fundamental Limitations of Learning and Optimization

- A. A system can be run and/or studied under only one policy at a time.
- B. By learning from the behavior of a system under one policy, we cannot obtain the performance of other policies, if no structural information of the system is available.
- C. We can only compare two policies at a time.

These simple rules describe the boundaries in developing learning and optimization approaches. First of all, if there is no structural information about the system, from the fundamental limitations A and B, we need to observe/analyze every policy to get or to estimate its performance. In such cases, the search methods are the only approaches for optimization. On the other hand, if we have some knowledge about the system structure, we may infer some information about the performance of the system under other policies while analyzing its behavior under one policy. More efficient approaches may be developed to identify optimal policies.

Search Methods

With search methods, we estimate or compute the performance of each individual policy and from the fundamental limitation C, for M policies we need to make $M - 1$ comparisons. This is the exhaustive search method.

Exhaustive Search

Given M policies d_i , $i = 1, 2, \dots, M$. Let η^{d_i} be the performance of policy d_i , $i = 1, 2, \dots, M$.

- i. Set $\tilde{d} := d_1$, and $\tilde{\eta} := \eta^{d_1}$;
- ii. For $i := 2$ to M , do
 if $\eta^{d_i} > \tilde{\eta}$ then set $\tilde{d} := d_i$ and $\tilde{\eta} := \eta^{d_i}$.

The algorithm outputs an optimal policy and the optimal performance. In the algorithm, we may randomly order the policies. However, in many problems the number of policies increases exponentially with respect to the number of states. Therefore, exhaustive search, which requires computing and comparing the performance of every policy, is not computationally feasible for most practical problems.

Moreover, if there is no additional information about the mapping $\eta^d : \mathcal{A} \rightarrow \mathcal{R}$ (such as its shape, or continuity if the policy space is continuous, or other similar properties regarding how the performance η^d distribute over \mathcal{A} , etc), any optimization scheme is no better than blind (random)

searching. This is formulated as the “No Free Lunch Theorem”, see Ho et al. [2003].

Various search methods have been developed; among them are simulated annealing (Kirkpatrick et al. [1983]), genetic algorithms (Srinivas and Patnaik [1994]), and the recently proposed cross-entropy method (Rubinstein and Kroese [2004]), model reference adaptive search (Hu et al. [2007]), and nested partition method (Shi and Olafsson [2000]). These methods may work better than blind random search when policy space \mathcal{A} and/or the mapping $\eta^d : \mathcal{A} \rightarrow \mathcal{R}$ have some special features (e.g., policies near a good policy are also good).

The recently developed “Ordinal Optimization” approach deals with the trade-off between accuracy and efficiency of random search. It proposes an interesting idea of a “soft goal” and opens up a new perspective for optimization. The main ideas are two folds: First, the search algorithm depends on the comparison of the performance of two policies, $\eta^{d_i} > \tilde{\eta}$. It is important to note that to verify this relationship we may not need to obtain the exact values of the performance of these two policies. For example, if the performance of two policies is quite different, then we may need only run a short simulation for each policy to verify this relationship. Second, we may not need to sample and compare all the policies (impossible); it can be shown that even we sample only a small set of policies, we are able to get a “good enough” policy with a reasonably large probability. See Ho et al. [2003, 2007] for details.

In summary, if we have no information about the system dynamics or structure, by observing/analyzing the system under one policy, we cannot know the system’s performance under other policies. Search methods, which requires us to know only the performance of the system under each policy, are the only approaches for optimization. Exhaustive search is not computationally feasible for most practical problems. Ordinary optimization searches for a good enough policy with significantly reduced computation. Other search methods may work better than random search if the performance does distribute “nicely” over the policy space.

If we know something about the structure/dynamics of the system, we may obtain some information about the performance of the system under other policies while analyzing its behavior under one policy. These additional information may lead to optimization approaches that are more efficient than the search methods. This is the focus of the rest of the paper.

4. A SENSITIVITY-BASED VIEW OF LEARNING AND OPTIMIZATION

To develop more efficient approaches than the search methods, we need to explore the special feature of a system. Naturally, we wish to develop approaches that require as little structural information and can be applied to as many systems as possible. The question is “HOW”. These fundamental limitations also provide us with some hints.

Performance Gradient

As indicated by the fundamental limitations A and B, if we analyze a system's behavior under one policy, we can hardly know its behavior under other policies. It is natural to believe that if two policies are "close" to each other, then the system under these two policies may behave similarly. If this is the case, when we are analyzing a system under a policy, it might be easier to "predict" the system behavior under a "close" policy and to calculate its performance than to do the same for a policy that is "far away". In other words, to predict the performance for a "close" policy may require as little knowledge about the system structure as possible.

If a policy space can be characterized by a continuous parameter θ , then two policies are "close" if their corresponding values for θ are close. Such a policy space is called a *continuous policy space*. For example, for Markov systems, policies correspond to transition probability matrices. Therefore, two policies can be viewed as "close" if their transition probability matrices are close (item-by-item). In modeling manufacturing or communication networks, policies may be characterized by production rates or transmission rates. Two policies are close if their corresponding rates are close. In randomized policies, the distributions (p_1, p_2, \dots, p_M) over the action space $\mathcal{A} = \{\alpha_1, \alpha_2, \dots, \alpha_M\}$ are continuous variables. Two randomized policies are close if their corresponding distributions are close.

Therefore, a reasonable step towards developing efficient and generally applicable approaches is to look at a "neighborhood" of a policy. The neighborhood must be small enough, so that the behavior of the system under the policies in this neighborhood of the policy can be predicted with as little knowledge about the system structure as possible. In mathematical terms, "small enough" is precisely described by the word "infinitesimal". When the performance of the policies in an infinitesimal neighborhood of a policy is known, we can further get the gradient of the performance in the policy space at this policy.

We may summarize the above discussion by the following statement:

Statement A:

With some knowledge about the system structure under different policies, by studying the behavior of a system under one policy, we can determine the performance of the system under the policies in a small neighborhood of this policy; i.e., determine the performance gradient.

The prediction of the performance for other (neighboring) policies while analyzing the system under one policy can be done analytically, if we can describe the structure mathematically (usually based on a model) and know the values of its parameters. However, in many cases, we always start by analyzing a sample path of the system. This is because

1. A sample path clearly illustrates the system dynamics, and sample-path-based analysis stimulates intuitive thinking.
2. In many practical problems, the size of the problem is too large for any analytical solution, or we may

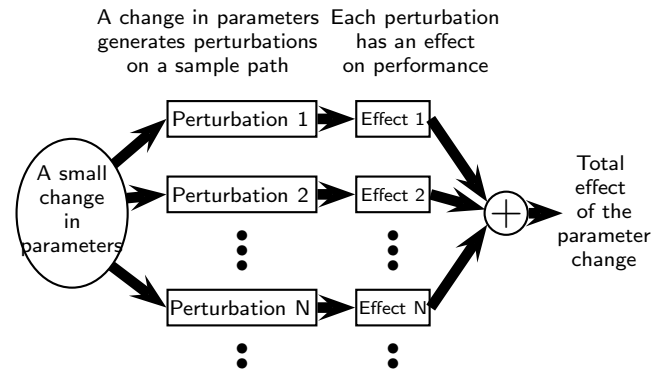


Fig. 2. The Basic Principles of Perturbation Analysis

have only partial information about the system; for example, in some cases, we may only know the structure of the system but do not know the values of its parameters, and in some other cases, we know the values of the parameters, but the system structure is too complicated to model. Sample-path-based algorithms may be implemented easily even with these constraints.

Of course, the results obtained by the sample-path-based approach can also be expressed in an analytical form.

Perturbation Analysis (PA)

PA estimates the performance derivatives with respect to system parameters by analyzing a single sample path of a stochastic dynamic system. Because PA emphasizes the dynamic nature of a stochastic system, such a system is also called a *discrete event dynamic system (DEDS)* (Ho and Cao [1991], Cassandras and LaFortune [1999]). PA was proposed in the late 1970s and early 1980s (Ho and Cao [1991], Cao [1994], Cassandras and LaFortune [1999]). The early work on PA focused on queueing systems. Later, the basic principles of PA were extended to Markov systems (both discrete- and continuous-time models) (Cao [2007]).

The basic principles of PA are: a small change in a system parameter induces a series of perturbations on a sample path. The average effect of a perturbation on the system performance can be measured by a fundamental quantity called a *perturbation realization factor*, which can be estimated by observing and analyzing a single sample path of the current system. Finally, the effect of a small change in a system parameter on the system performance equals the sum of the effects of all the perturbations induced by the parameter change on a sample path. These basic principles are illustrated in Figure 2.

The PA principles illustrated in Figure 2 can be applied to estimate the performance derivatives with respect to the transition probabilities of Markov a system. In this approach, the behavior of the black box in Figure 1 is described by a Markov model with transition probability matrix P and the performance measure η is defined in (4). We assume that the states X_l are observable, i.e.; $Y_l = X_l$, $l = 0, 1, \dots$. In this model, a policy d corresponds to a transition probability matrix denoted as P^d . We wish to get the performance sensitivity around a policy P^d in the

policy space by analyzing the system's behavior under this policy P^d .

Let P^h be another policy, and we assume that the performance function f is the same for both policies P^d and P^h , and let $\Delta P = P^h - P^d$. Define $P_\delta = P^d + \delta(\Delta P) = (1 - \delta)P^d + \delta P^h$, $0 \leq \delta \leq 1$. P_δ is a randomized policy: With policy P_δ , in any state $k \in \mathcal{S}$ the system moves according to $p^{h(k)}(j|k)$, $j \in \mathcal{S}$, with probability δ , and moves according to $p^{d(k)}(j|k)$, $j \in \mathcal{S}$, with probability $1 - \delta$. Let π_δ and η_δ be the steady-state probability and the performance measure associated with P_δ . We have $P_0 = P^d$, $P_1 = P^h$ and $\eta_0 = \eta^d$. The performance derivative at policy P^d along the direction ΔP (from P^d to P^h) is $\frac{d\eta_\delta}{d\delta}|_{\delta=0} = \lim_{\delta \rightarrow 0} \frac{\eta_\delta - \eta^d}{\delta}$. Different P^h s correspond to different directional derivatives in the policy space.

The performance derivatives are obtained by predicting how the system would behave if we slightly perturb the transition probability matrix from P^d to P_δ , $\delta \ll 1$. Small changes in P^d induce a series of perturbations on a sample path of P^d . A perturbation on a sample path is a "jump" from one state i to another state j , $i, j \in \mathcal{S}$ (i.e., at some time l , the Markov chain with P^d was in state i , $X_l = i$, however, because of the slight change in the transition probabilities, the Markov chain with P_δ is in state $X_l = j$). The average effect of such a jump on the system performance η^d can be measured by the *perturbation realization factor*, denoted as $\gamma^d(i, j)$. It can be shown that $\gamma^d(i, j) = g^d(j) - g^d(i)$, for all $i, j \in \mathcal{S}$, where $g^d(i)$ is called the *performance potential* (or simply the *potential*) of state i (Cao [2007]).

The performance potential is the main concept of performance optimization of Markov systems. Intuitively, the performance potential of state i , $g(i)$, of a policy P measures the "potential" contribution of state i to the long-run average reward η in (4). It is defined on a sample path of P as

$$g(i) := E \left\{ \sum_{l=0}^{\infty} [f(X_l) - \eta] \middle| X_0 = i \right\}. \quad (5)$$

From this, we can easily derive

$$\begin{aligned} g(i) &= \text{contribution of the current state } i \\ &\quad + \text{expected long-run "potential" contribution} \\ &\quad \text{of the next state} \\ &= (f(i) - \eta) + \sum_{j \in \mathcal{S}} p(j|i)g(j). \end{aligned}$$

This can be written in a matrix form called the *Poisson equation*:

$$(I - P)g + \eta e = f, \quad (6)$$

where $g = (g(1), \dots, g(S))^T$ is the potential vector.

From the definition of $g(i)$ in (5), we can see that the effect of a jump from state i to j on the long-run average reward (4) can be measured by $\gamma(i, j) = g(j) - g(i)$. Finally, the effect of a small (infinitesimal) change in a Markov chain's transition probability matrix (from P^d to P_δ) on the long-run average reward (4) can be decomposed into the sum of the effects of all the single perturbations

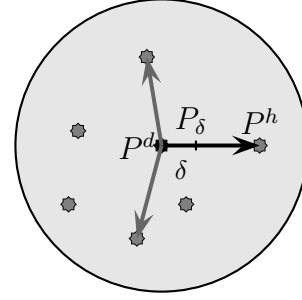


Fig. 3. The Directional Derivatives Along Any Direction

(jumps on a sample path) induced by the change on a sample path. With these principles, we can intuitively derive the formulas for the performance derivative along any direction (from P^d to any P^h) in the policy space:

$$\frac{d\eta_\delta}{d\delta} \Big|_{\delta=0} = \pi^d(\Delta P)g^d = \pi^d(P^h - P^d)g^d. \quad (7)$$

(This formula can be also easily derived from the Poisson equation; however, the PA principles provide a clear and intuitive explanation that can be easily extended to other non-standard problems for which the Poisson equation usually does not exist.)

From (7), knowing the steady-state probability π^d and the potential g^d of policy P^d , we can obtain the directional derivative $\frac{d\eta_\delta}{d\delta}|_{\delta=0}$ along any direction (ΔP) pointing to any given policy P^h from P^d . This is illustrated in Figure 3. The potentials in (7) can be estimated (or "learned") from a sample path of the Markov chain. Optimization can be carried out using the performance derivatives together with stochastic approximation (Marbach and Tsitsiklis [2001]). It is explained in the next subsection that the potentials also play a key role in policy iteration.

The extension of (7) to the case where the transition matrix depends arbitrarily on any parameter θ (denoted as P_θ with $P_0 = P$) is straightforward. Replacing ΔP in (7) with $(\frac{dP_\theta}{d\theta})|_{\theta=0}$, we have

$$\frac{d\eta_\theta}{d\theta} \Big|_{\theta=0} = \pi \frac{dP_\theta}{d\theta} \Big|_{\theta=0} g.$$

Therefore, without loss of generality, we need only to discuss the linear case (7).

Now suppose policy P^h has a different reward function f^h . Let $\Delta P = P^h - P^d$ and $\Delta f = f^h - f^d$. Define $P_\delta = P^d + \delta(\Delta P)$ and $f_\delta = f^d + \delta(\Delta f)$, $0 \leq \delta \leq 1$. Then the directional derivative from (P, f) to (P_δ, f_δ) is

$$\frac{d\eta_\delta}{d\delta} \Big|_{\delta=0} = \pi^d[(\Delta P)g^d + \Delta f]. \quad (8)$$

There are a number of advantages of PA: It can estimate performance derivatives along all directions based on a single sample path of a Markov chain; the derivatives can be estimated as a whole without estimating each potential for every state, and thus the "curse of dimensionality" issue disappears; it can be implemented on line without disturbing the operation of a system; and, furthermore, the approach applies to any policy space or subspace with constraints. However, PA-based approaches may reach a local optimal point.

Efficient algorithms were developed by PA principles for queueing systems (Ho and Cao [1991], Cao [1994]); recently fluid model of queueing systems was introduced into PA, which provided good approximations (Cassandras et al. [2003]).

Performance Differences

The gradient method does not apply to discrete policy spaces. For discrete policy spaces, we need to compare the performance of different policies that may not be close to each other.

The fundamental limitation C implies more than it seems on the surface. It says that all we can do in terms of optimization is based on a simple comparison of two policies. In other words, if we cannot compare two policies, then we have no way to do optimization. Furthermore, in some cases, we may even emphasize that the performance difference formula contains almost all the information about what we can do in performance optimization. This simple philosophical point guides the direction of our research in optimization: *We should always start with developing a formula for the difference of the performance measure of any two policies and then to investigate what we can learn from this performance difference formula.* In many cases, it is not difficult to derive such a difference formula for a particular problem, yet the insights provided and the results thus obtained can be remarkable.

How much we can get from the performance difference formula depends on the system structure. So far, the best result is that with some assumptions such as the independent-action assumption in Markov decision processes, by analyzing the system's behavior under one policy, we can find another policy that performs better, if such a policy exists (see the discussion below).

We may summarize the above discussion by the following statement

Statement B:

With some assumptions on the system structure, by studying the behavior of a system under one policy, we can find a policy that performs better, if such a policy exists.

Markov Decision Processes (MDPs)

The MDP theory (Bertsekas [1995,2001,2007], Puterman [1994]) can be developed based on the performance difference formula. MDPs use the Markov model and policies defined in Section 2; in addition, it assumes that the action at different states $d(i)$, $i \in \mathcal{S}$, can be chosen independently (the *independent-action assumption*). Thus, for any policy d , we have transition probability matrix P^d , reward vector f^d , steady-state probability π^d , and performance η^d . The goal of MDPs is to find a policy d^* such that its performance is the best among all policies.

Policy iteration is one of the main solutions to MDPs. Its basic principle is the same as Statement B: *With the independent-action assumption, by analyzing the behavior of the system under one policy, we can always find another policy under which the system performs better, if such a*

policy exists. This can be shown by following the performance difference formula.

Consider two policies (P^d, f^d) and (P^h, f^h) with steady-state probabilities π^d , π^h and performance η^d and η^h , respectively. Let g^d be the potential of policy (P^d, f^d) . Left-multiplying both side of the Poisson equation (6) $(I - P^d)g^d + \eta^d e = f^d$ with π^h , we obtain the performance difference formula

$$\eta^h - \eta^d = \pi^h[(\Delta P)g^d + \Delta f], \quad (9)$$

where $\Delta P = P^h - P^d$ and $\Delta f = f^h - f^d$. This equation can be also derived with a sample-path-based argument by first principles (Cao [2007]). The sample-path-based argument provides a clear intuition that can be extended to problems where the Poisson equation does not exist.

In (8), both π^d and g^d can be obtained from analyzing the system with policy (P^d, f^d) . Thus, given P^d , we can obtain the directional derivatives along any given direction $\Delta P = P^h - P^d$ without analyzing the system under (P^h, f^h) . However, to obtain the performance difference with (9), we need to solve for both π^h and g^d . This is the same as a comparison in exhaustive search because we need to analyze both systems to compare the performance of the two systems.

Fortunately, all is not lost. The particular factorized form of (9) can be utilized. In fact, the updating procedure in policy iteration is based on (9) and the following simple fact: $\pi^h > 0$ (i.e., $\pi^h(i) > 0$ for all $i \in \mathcal{S}$) for any ergodic P^h . Thus, for any given P^d , if we can find a P^h such that $(\Delta P)g^d + \Delta f = (P^h g^d + f^h) - (P^d g^d + f^d) \geq 0$ with at least one positive component, then $\eta^h > \eta^d$. In particular, there is no need to solve for π^h in the procedure. Conventionally, in state i we choose the action that maximizes the i th component of $P^h g^d + f^h$ as $h(i)$; i.e., we choose $h(i)$, $i \in \mathcal{S}$, such that

$$\begin{aligned} & \sum_{j=1}^S p^{h(i)}(j|i)g^d(j) + f(i, h(i)) \\ & = \max \left\{ \sum_{j=1}^S p^\alpha(j|i)g^d(j) + f(i, \alpha) : \alpha \in \mathcal{A}(i) \right\}. \end{aligned} \quad (10)$$

In words, we choose the action such that after the next transition with this action the expected potential is maximized. Let h be the policy determined by (10). We have $\eta^h > \eta^d$ if P^d is not the optimal policy; however, h may not be optimal even if (10) holds.

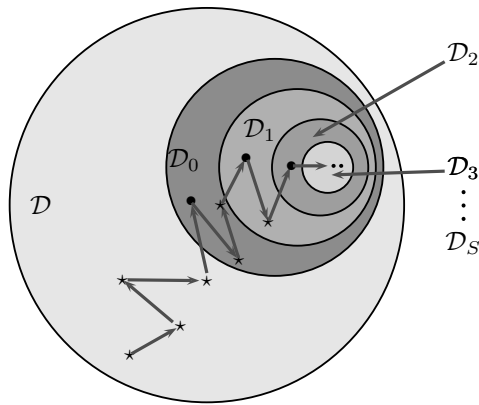
The above discussion leads to the following policy iteration algorithm:

- (1) Guess an initial policy d_0 , set $k = 0$.
- (2) (Policy evaluation) Obtain the potential g^{d_k} by solving the Poisson equation $(I - P^{d_k})g^{d_k} + \eta^{d_k} e = f^{d_k}$.
- (3) (Policy improvement) Choose

$$d_{k+1} \in \arg \left\{ \max_{d \in \mathcal{D}} [f^d + P^d g^{d_k}] \right\}, \quad (11)$$

component-wisely (i.e., to determine an action for each state). If in state i , action $d_k(i)$ attains the maximum, set $d_{k+1}(i) = d_k(i)$.

- (4) If $d_{k+1} = d_k$, stop; otherwise, set $k := k + 1$ and go to step 2.



\mathcal{D} : Policy space \mathcal{D}_0 : Gain-optimal policies
 \mathcal{D}_1 : 1st-Bias optimal policies \mathcal{D}_2 : 2nd-Bias optimal policies
 \mathcal{D}_S : Blackwell optimal policies

Fig. 4. Policy Iteration for n th-Bias and Blackwell Optimal Policies

In the algorithm, we need to choose actions independently at each state. It is easy to prove that this algorithm outputs an optimal policy (Puterman [1994], Cao [2007]). The fundamental quantity in (9) is the performance potential. From a learning point of view, we need to analyze the behavior of a system under one policy to “learn” its potential of each state to determine how to make the system perform better. Potential is equivalent to the bias or the relative cost in the MDP literature, up to an additive constant. We use the word “potential” because of its physical meaning. Roughly speaking, the performance potential of a state i , $i \in \mathcal{S}$, measures the “potential” contribution of the state i to the system performance; the difference between the potentials of two states measures the effect of a jump (perturbation) from one state to the other state on the system performance; and to improve the performance, in any state we should choose an action that leads to the best expected potential with this action (i.e., the largest $P^h g^d + f^h$ in (9)).

The only difference between (9) and (8) is that π^d in (8) is replaced by π^h in (9). This leads to an interesting observation: policy iteration in MDPs in fact chooses the policy with the steepest directional derivative as the policy in the next iteration.

A Complete Theory for MDPs with the Long-Run Average Criteria

As shown above, with the performance difference formula (9), the policy iteration procedure for ergodic chains can be derived simply and intuitively. This sensitivity-based approach also applies to multi-chain Markov systems, systems with absorbing states, and problems with other performance criteria such as discounted performance and even bias. The idea that many results can be derived simply from the performance difference formulas is further verified by the recently proposed approach with the n th-bias optimality (Cao [2007]). Essentially, starting with the performance difference formulas, we can develop a simple and direct approach to derive the results that are equivalent to the sensitive discount optimality for multi-chain Markov systems with long-run average criteria (Puterman [1994], Veinott [1969]); and no discounting is needed in the approach.

The main results about the n th-bias optimality are as follows. The transition probability matrix of a multi-chain takes the following *canonical form*:

$$P = \begin{bmatrix} P_1 & 0 & 0 & \cdots & \cdot & 0 \\ 0 & P_2 & 0 & \cdots & \cdot & 0 \\ \cdot & \cdot & \cdot & \cdots & \cdot & \cdot \\ 0 & 0 & 0 & \cdots & P_m & 0 \\ R_1 & R_2 & R_3 & \cdots & R_m & R_{m+1} \end{bmatrix}, \quad (12)$$

where P_1, P_2, \dots, P_m are all irreducible square matrices. This form indicates that the state space of a Markov chain consists of m closed subsets of recurrent states; each subset corresponds to one of the sub-matrices P_k , $k = 1, 2, \dots, m$. The states corresponding to the last row, R_1, R_2, \dots, R_{m+1} , are transient.

In this formulation, a policy is still denoted as (P, f) , where f is the reward function. The long-run average reward is called the *0th bias*, which is defined as a vector g_0 with components

$$g_0(i) := \eta(i) = \lim_{L \rightarrow \infty} \frac{1}{L} E \left\{ \sum_{l=0}^{L-1} f(X_l) \mid X_0 = i \right\}, \quad i \in \mathcal{S},$$

where $\{X_l, l = 0, 1, \dots\}$ is a sample path of the Markov chain with P . The performance depends on the initial state i . The *bias* or the *1st bias* is denoted as $g_1 := g$, its i th component is

$$g_1(i) := g(i) = \sum_{l=0}^{\infty} E [f(X_l) - \eta(i) \mid X_0 = i].$$

The n th bias, $n > 1$, of policy (P, f) is defined as a vector g_n whose i th component is

$$g_n(i) = - \sum_{l=0}^{\infty} E [g_{n-1}(X_l) \mid X_0 = i], \quad n > 1.$$

The n th bias, $n \geq 0$, associated with a policy $d \in \mathcal{D}$ (with (P^d, f^d)) is denoted as g_n^d .

A policy \hat{d} is said to be *gain (0th bias) optimal* if

$$g_0^{\hat{d}} \geq g_0^d, \quad \text{for all } d \in \mathcal{D}.$$

Let \mathcal{D}_0 be the set of all gain-optimal policies. A policy \hat{d} is said to be *n th-bias optimal*, $n > 0$, if $\hat{d} \in \mathcal{D}_{n-1}$ and

$$g_n^{\hat{d}} \geq g_n^d, \quad \text{for all } d \in \mathcal{D}_{n-1}, \quad n > 0.$$

Let \mathcal{D}_n be the set of all n th-bias optimal policies in \mathcal{D}_{n-1} , $n > 0$.

The sets $\mathcal{D}, \mathcal{D}_0, \mathcal{D}_1, \dots$, are illustrated in Figure ???. Our goal is to find an n th bias optimal policy, $n = 0, 1, \dots$. Following the sensitivity-based view, we start with the performance difference formulas for any two n th bias optimal policies, $n = 0, 1, \dots$; these formulas can be easily derived. Indeed, all the following results can be obtained by simply exploring and manipulating the special structures of these performance difference formulas.

- (1) Choose any policy $d_0 \in \mathcal{D}$ as the initial policy. Applying the policy iteration algorithm, we may obtain a gain (0th bias) optimal policy $\hat{d}_0 \in \mathcal{D}_0$.

- (2) Starting from any n th bias optimal policy $\hat{d}_n \in \mathcal{D}_n$, $n = 0, 1, \dots$, applying a similar policy iteration algorithm we may obtain an $(n + 1)$ th bias optimal policy $\hat{d}_{n+1} \in \mathcal{D}_{n+1}$.
- (3) If a policy is S th bias optimal, it is also n th bias optimal for all $n > S$; i.e., $\mathcal{D}_S = \mathcal{D}_{S+1} = \mathcal{D}_{S+2} = \dots$
- (4) An S th bias optimal policy is a Blackwell optimal policy.

The sensitivity-based view provides a unified approach to all these MDP-types of optimization problems; and the approach is surprisingly simple and clear.

Reinforcement Learning (RL)

The fundamental model for systems in RL is also the Markov chain. While MDP is basically an analytical approach, which assumes that all the parameters are known, RL is a simulation-based (or in some cases, on-line) learning approach. Simulation can be carried out by following the system structure (e.g., the queueing structure).

If we know enough information about the transition probabilities to implement policy iteration with potentials, we need only to “learn”, or to estimate, the potentials g^{d_k} for all the states from a sample path of the system under one policy d_k and then update the policies iteratively according to (11). In this sense, any estimation-based or on-line approach for estimating potentials belongs to RL. In this regard, many efficient RL algorithms, such as TD(λ) (Bertsekas [1995,2001,2007], Sutton and Barto [1998]), and approximate approaches, such as *neuro-dynamic programming* (Bertsekas [1995,2001,2007], Bertsekas and Tsitsiklis [1996]), have been developed. If we do not know anything about the transition probabilities, we cannot implement policy iteration even if we know the potentials. In this case, we need to learn the system behavior for all state-action pairs. Basically, in state i , we need to try all the actions in $\mathcal{A}(i)$ in order to get enough information for comparison. Therefore, this type of RL approach (e.g., Q-learning) requires a sample path that visits all the state-action pairs.

In these approaches, we consider a variant of the potential $g^d(i)$, called the *Q-factor* of a state-action pair (i, α) , denoted as $Q^d(i, \alpha)$ for any $i \in \mathcal{S}$ and $\alpha \in \mathcal{A}(i)$. $Q^d(i, \alpha)$ is defined as the average potential of state i if action $\alpha \in \mathcal{A}(i)$ (not necessarily $d(i)$) is taken at a particular time and the rest of the Markov chain is run under a policy d :

$$Q^d(i, \alpha) = \sum_{j=1}^S p^\alpha(j|i)g^d(j) + f(i, \alpha) - \eta^d, \quad \alpha \in \mathcal{A}(i).$$

With this definition, (10) becomes

$$Q^d(i, h(i)) = \max\{Q^d(i, \alpha) : \alpha \in \mathcal{A}(i)\}.$$

Thus, we may implement policy iteration by choosing the action that leads to the largest $Q^d(i, \alpha)$ in state i as $h(i)$ in the improved policy h .

Sample-path-based algorithms may be developed to estimate Q-factors. This leads to the Q-factor-based policy iteration, which can be used when the Markov chain's transition probability matrix is unknown. This approach in fact estimates the combined effect of the transition prob-

abilities $p^\alpha(j|i)$ and the potentials $g^d(j)$ together without estimating these items separately.

In the approach, we need a sample path that visits all the state-action pairs. However, with a deterministic policy d , only the state-action pairs $(i, d(i))$, $i \in \mathcal{S}$, are visited. This issue may be resolved by introducing, with a small probability, other actions into the system as follows: in any state i , we apply action $d(i)$ with probability $1 - \epsilon$ and any other action $\alpha \in \mathcal{A}(i)$ randomly with an equal probability $\epsilon/(|\mathcal{A}(i)| - 1)$, $0 < \epsilon \ll 1$. We denote such a policy as d_ϵ .

In recent years, performance-gradient-based optimization has attracted more and more attention from the RL community. Sample-path-based algorithms can be developed for performance gradients (Baxter and Bartlett [2001], Baxter et al. [2001], Cao [2005, 2007]); these algorithms are based on the performance derivative formula (7).

In summary, the RL approach focuses on algorithms estimating potentials and its variant Q-factors, or the potentials and Q-factors for optimal policies, and the algorithms for performance gradients.

Identification and Adaptive Control

Identification and adaptive control are well-developed areas. In adaptive control theory, system dynamics are modeled by differential or difference equations that determine the system structure. With such a mathematical model, elegant analysis can be carried out, leading to widely deployed adaptive control algorithms. When the system parameters are unknown and/or time varying, they need to be estimated from observations (this is also called system identification), and performance optimization can be achieved by using the adaptive control algorithms with the parameters estimated from observations.

A stochastic system under control, although it has its special structure, can be generally modeled as a Markov process, with the control variables viewed as actions. Consider a (discrete-time) linear stochastic system modeled as

$$X_{l+1} = AX_l + Bu_l + \xi_l, \quad l = 0, 1, \dots, \quad (13)$$

where X_l is the system state at time l , which is usually a random vector, u_l is a vector of control variables, ξ_l is a vector of noise, and A and B are matrices with appropriate dimensions. Apparently, $\mathbf{X} = \{X_l, l = 0, 1, \dots\}$ is a Markov chain and u_l can be viewed as the actions that determine the transition probabilities of \mathbf{X} , based on the probability distribution function of ξ_l . The problem is how to choose u_l , $l = 0, 1, \dots$, such that a performance measure is minimized.

Principally, such a problem is amenable to either MDPs, RL, or PA. For example, we can apply policy iteration to find the optimal feedback control policy $u_l = d(X_l)$. Indeed, for the linear stochastic control problem in (13) with a quadratic performance reward, we can derive, with policy iteration, the famous Riccati equation for optimal policies (Cao [2007]).

When the system parameters are unknown, the basic quantities such as potentials and Q-factors have to be learned from a sample path with various RL algorithms. When the system parameters vary with a slow time scale, the policies have to be updated frequently to keep up with

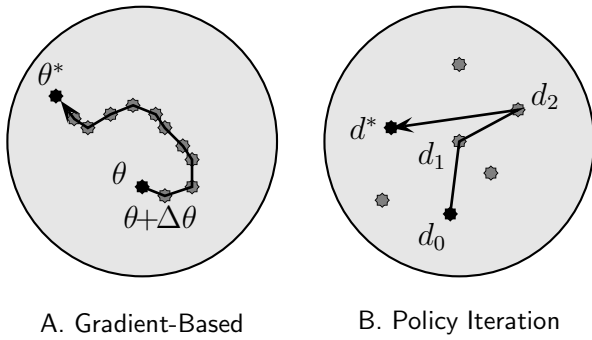


Fig. 5. Two Types of Optimization Approaches

the parameter changes. In this sense, the on-line policy iteration, RL, or PA-based optimization are equivalent to system identification and adaptive control.

Another feature is that with policy iteration, we estimate the potentials and Q-factors, and the system parameters may not need to be estimated. This corresponds to the direct adaptive control in the literature, where the parameters for the optimal control law, instead of the system, are identified (Åström and Wittenmark [1989]).

One advantage of the on-line or sample-path-based approach is that, from the learning point of view, principally it applies to both linear and non-linear systems in the same way. The system structure affects only the transition probability matrix. However, determining the transition probability matrix for different control parameters might be a difficult task. There are many works in this direction (Werbos [1992]).

A Sensitivity-Based View of Learning and Optimization

In summary, the fundamental limitations of learning and optimization sketch out the directions of developing efficient and widely applicable learning and optimization approaches with as little information about the system structure as possible. There are two feasible directions: First, because we can only learn from one policy at a time, we may at most obtain local (in the neighborhood of a policy) information in the policy space; this leads to performance gradients or derivatives. Second, because we can only compare two policies at a time, we may start with the performance difference formulas of any two policies in developing learning and optimization methods. In short, these directions can be characterized by performance derivatives and performance differences, respectively. We will refer to this as a sensitivity-based view (Cao [2007]).

These two directions lead to two types of approaches. The first type of approach is based on *perturbation analysis (PA)*. With PA, we can obtain the performance derivatives with respect to the system's parameters. We can develop gradient-based optimization approaches using PA. This approach applies to problems where policy spaces are parameterized with continuous parameters. The basic idea is shown in Figure 5.A. We first set the parameter θ to be any value and determine the performance gradient at θ

with PA. Then we change θ slightly along the direction of the gradient to $\theta + \Delta\theta$ and determine the gradient again at this $\theta + \Delta\theta$. We repeat this procedure until reaching a point θ^* at which the performance gradient is zero; this is a local optimal point. The performance gradient can be calculated analytically, or estimated from a sample path. When the gradient estimates contain noise, stochastic approximation techniques can be used in the optimization procedure (Marbach and Tsitsiklis [2001]).

The second type of learning and optimization approach is based on the comparison of the system performance measures of two different policies. The approach strongly depends on the system structure. A well-known result in this direction is: When the actions taken in different states are independent, it may be possible to use the information learned by observing or analyzing the system behavior under the current policy to determine a policy under which the performance of the system is better, if such a policy exists. This leads to the *policy iteration* procedure shown in Figure 5.B. We start with any policy d_0 , learn from its behavior and find a better policy d_1 , then learn from d_1 and find a better policy d_2 , and so on until the best policy d^* is reached.

A Map of the Learning and Optimization World

With a sensitivity point of view, the world of learning and optimization can be illustrated by the map shown Figure 6. The central piece of the map is the performance potential. Various RL methods yield sample-path-based estimates for potentials g , or their variant Q-factors, or their values for the optimal policy; the potentials are used as building blocks in constructing the two performance sensitivity formulas; these two formulas form the basis for gradient-based (PA-type) and policy-iteration-type optimization approaches; RL methods can also be developed for directly estimating the performance gradients on sample paths; stochastic approximation techniques can be used to derive efficient optimization algorithms with the sample-path-based gradient estimates, and to derive on-line policy iteration algorithms. Both the gradient-based approaches and policy iteration can be applied to system identification and adaptive control (I&AC) problems, even with non-linear systems.

5. EVENT-BASED OPTIMIZATION AND POTENTIAL AGGREGATION

We have introduced a sensitivity-based view of learning and optimization. In the framework, systems are modeled by Markov processes. However, it is well known that the Markov model suffers from the following disadvantages:

- (1) The state space and the policy space are too large for most problems.
- (2) The MDP policy iteration theory requires the independent action assumption.
- (3) The model does not utilize any special feature of the system.

Now, we show that with the sensitivity-based view, we can develop new learning and optimization approaches that utilize the special features of the systems to overcome or alleviate the above difficulties.

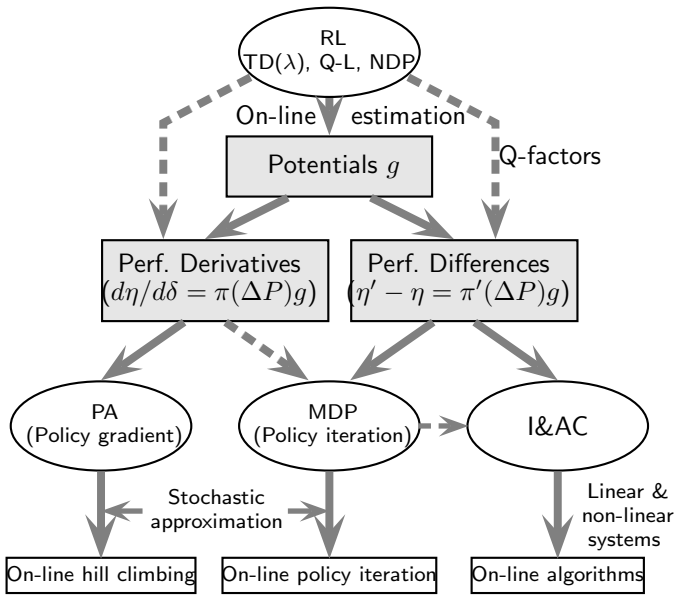


Fig. 6. A Map of the Learning and Optimization World (PA: Perturbation Analysis, MDP: Markov Decision Process, RL: Reinforcement Learning, Q-L: Q-Learning, I&AC: Identification and Adaptive Control, NDP: Neuro-dynamic Programming)

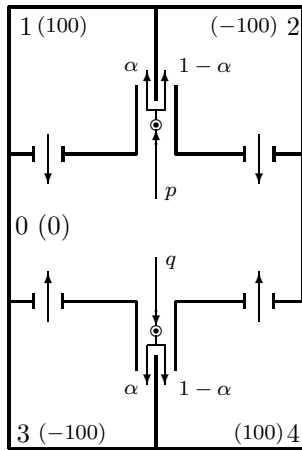


Fig. 7. Random Walk of a Robot

One of such approaches is the *event-based optimization*, which can be applied to systems where the actions can be taken only when some events happen.

The Main Features of the Event-Based Approach

We first give a simple example to illustrate the ideas.

Example 1. A robot takes a random walk in a five room maze shown in Figure 7. The numbers in the parenthesis indicate the rewards the robot gets in each room. The robot moves from room 0 to the two top rooms 1 or 2 with probability p , and to the two bottom rooms 3 or 4 with probability $q = 1 - p$. There is a traffic light in each

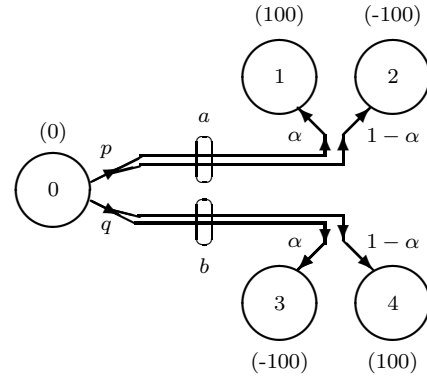


Fig. 8. The State Transition Diagram of the Random Walk

	0	1	2	3	4
0	0	$p\alpha$	$p(1-\alpha)$	$q\alpha$	$q(1-\alpha)$

Event a
Event b

Fig. 9. The Transition Probabilities of State 0 When Action α is Taken in Example 1

passage; if it is red, the robot moves to the left rooms 1 or 3, and if it is green, the robot moves to the right room 2 or 4. We may control the probability of the lights being red, α , or being green, $1 - \alpha$. The system can be modeled by a Markov chain. Figure 8 illustrates a part of a system's state transition diagram, and Figure 9 lists the transition probabilities of state 0 when a particular α is chosen.

Let us analyze the structure of the transition diagram. From Figure 8, if the system moves from state 0 to the two top states, 1 and 2, we need to take the biggest value $\alpha = 1$ to reach state 1 with probability 1 and get a reward of 100; on the contrary, if the system moves from state 0 to the two bottom states, 3 and 4, we need to take the smallest value $\alpha = 0$ to reach state 4 with probability 1 and get a reward of 100. Thus, at state 0, a big α is good for the top, but bad for the bottom, and vice versa. When $p = q = 0.5$, for any α the average reward at the next step is zero. Therefore, the state-based optimal policy may not be very good.

However, the situation improves significantly if we know a bit of information about the state transition. From the structure shown in Figure 8, the top two transitions, or the bottom two transitions, have similar properties. This structure can be captured by aggregating these transitions together and defining two events:

$$a := \{ \langle 0, 1 \rangle, \langle 0, 2 \rangle \} \quad \text{and} \quad b := \{ \langle 0, 3 \rangle, \langle 0, 4 \rangle \},$$

where $\langle i, j \rangle$ denotes a transition from state i to state j , $i, j \in \mathcal{S}$. These two sets of state transitions aggregated into two events are shown as the two ovals, a and b , in Figure 8; they are also illustrated by the two thick boxes in Figure 9.

With this formulation, if event a occurs, the system moves to state 1 with probability α and to state 2 with probability $1 - \alpha$; and if event b occurs, the system moves to state 3 with probability α and to state 4 with probability $1 - \alpha$. In

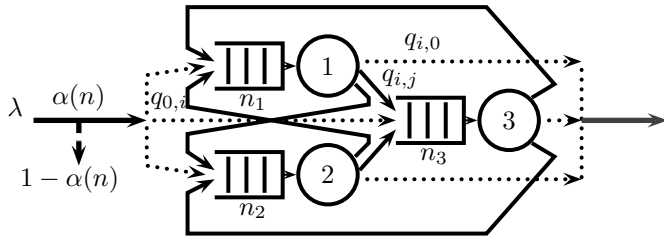


Fig. 10. The Admission Control Problem

the event-based approach, we assume that we can observe the events, not the states; i.e., at any time instant l , we can observe whether $\langle X_l, X_{l+1} \rangle \in a$, or $\langle X_l, X_{l+1} \rangle \in b$, occurs. We need to determine an event-based policy that specifies the probabilities chosen for events a and b : $\alpha_a = d(a)$ and $\alpha_b = d(b)$.

From the reward structure shown in Figure 8, we may design a myopic policy: if a occurs, we choose the largest value, i.e., $\alpha_a = 1$, which leads to state 1 and the reward at the next step is 100; and similarly, if b occurs, we choose the smallest value, i.e., $\alpha_b = 0$, and the state at the next step is 4 and the reward is also 100. In this example, this myopic event-based policy is better than the optimal MDP policy. \diamond

This example shows that an optimal event-based policy may be better than an optimal state-based policy; or knowing the event is better than knowing the state. This is because knowing the event implies knowing something about the current transition, which, strictly speaking, contains information about the future. In addition, we can see that a history-independent event-based policy is good enough in this example.

Many real-world systems fit the event-based formulation.

Example 2. (Admission Control) Consider a communication system modeled as a variant of an open network shown in Figure 10. Packets are called customers in queueing terminology. The network consists of M servers; the customers' service times at server i are identically and independently distributed with an exponential distribution with mean $1/\mu_i$, $i = 1, 2, \dots, M$. After the completion of its service at server i , a customer will join the queue at server j with probability $q_{i,j}$, and will leave the network with probability $q_{i,0}$, $i, j = 1, 2, \dots, M$. We have $\sum_{j=0}^M q_{i,j} = 1$, $i = 1, 2, \dots, M$. Let n_i be the number of customers at server i , and $n = \sum_{i=1}^M n_i$ be the population of the system.

The customers arrive at the network in a Poisson process with rate λ . If an arriving customer finds n customers in the network, the customer will be admitted to the system with probability $\alpha(n)$ and will be rejected and leave the system with probability $1 - \alpha(n)$, $0 \leq \alpha(n) \leq 1$. We assume that the system has a capacity of N ; i.e., $\alpha(N) = 0$, or an arriving customer finding N customers in the system will be dropped. An admitted customer will join queue i with probability $q_{0,i}$, $i = 1, 2, \dots, M$, $\sum_{i=1}^M q_{0,i} = 1$.

The system can be modeled as a discrete-time Markov chain embedded at the transition times. The system state is $\mathbf{n} = (n_1, n_2, \dots, n_M)$. The optimization problem is to find the best admission probabilities $\alpha(n)$, $n = 0, 1, \dots, N - 1$, such that the system performance is op-

timized. In this problem, an action is taken only when a customer arrives at the network; we call it an *event* of a customer arrival (which can be precisely defined as a set of transitions). When a customer arrives, the system can be in many different states \mathbf{n} 's. Thus, the problem is not a standard MDP, since an action may affect the transition probabilities of many states. In addition, the decision depends on events, rather than on states. \diamond

With the sensitivity-based view, the solutions to the event-based optimization problems rely on the performance sensitivity formulas. It is easy to derive the performance difference formula for the random walk example (with " \prime " denoting the quantities for another policy):

$$\eta' - \eta = \pi'(a)[(\alpha'_a - \alpha_a)g(a)] + \pi'(b)[(\alpha'_b - \alpha_b)g(b)], \quad (14)$$

where $\pi(a)$ and $\pi(b)$ are the steady-state probabilities of events a and b , and

$$g(a) = g(1) - g(2), \quad g(b) = g(3) - g(4), \quad (15)$$

are the potentials of events a and b , which are aggregated from potentials $g(1)$, $g(2)$, and $g(3)$, $g(4)$, respectively, according to the structure of the problem.

For the admission control problem, we have

$$\eta' - \eta = \sum_{n=0}^{N-1} \pi'(n)[(\alpha'(n) - \alpha(n))d(n)], \quad (16)$$

where $\pi(n)$ is the steady-state probability of the event that a customer arrives and finds the population n , and (let $\mathbf{n}_{+i} = (n_1, \dots, n_i + 1, \dots, n_M)$)

$$d(n) = \frac{1}{\pi(n)} \left\{ \sum_{i=1}^M q_{0i} \left[\sum_{n_1 + \dots + n_M = n} \pi(\mathbf{n}) g(\mathbf{n}_{+i}) \right] - \left[\sum_{n_1 + \dots + n_M = n} \pi(\mathbf{n}) g(\mathbf{n}) \right] \right\}, \quad (17)$$

is the potential $d(n)$ aggregated according to the event structure.

Policy iteration algorithms can be developed from (14) and (16). Furthermore, performance derivative formulas can be easily derived from (14) and (16); therefore, gradient-based optimization algorithms can also be developed. The event-based potentials $g(a)$ and $g(b)$ in (15) and $d(n)$ in (17) can be estimated on a sample path of the systems, and learning algorithms can be developed. The number of events is usually much smaller than the number of states. In the admission control problem, the number of states grows exponentially with the system size N ; however, the number of events, $N + 1$, is linear in the system size N .

In summary, the event-based approach has the following advantages:

- (1) Events may contain future information and an event-based policy may perform better than state-based policies.
- (2) The potentials of events are aggregated from potentials of states; the number of event-based policies may be scale to the system size, and event-based approach may save computation.

- (3) With event-based policy, the same action is taken at different states that correspond to the same event; thus, the event-based approach applies to problems in which the independent-action assumption does not hold.

The world of the event-based learning and optimization can be described by a map similar to Figure 6, in which the potentials g are replaced by the aggregated potentials of the events, and the performance difference and derivative formulas are replaced by those for event-based policies. From these formulas, gradient-based approach, and under some conditions (which are satisfied by the two examples above, but not always!) policy iteration can be developed (Cao [2007]). The difference and derivative formulas can be “constructed” on a sample path with intuition by using potentials as building blocks (Cao [2007]). Reinforcement learning and other algorithms can also be developed.

Many problems fit the event-based framework (a solution may not be easy, though!). For example, in POMDP, we may define an observation, or a sequence of observations, as an event. Other examples including state and time aggregations, hierarchical control (hybrid systems), options, and singular perturbation. Different events can be defined to capture the special features in these different problems. In this sense, the event-based approach may provide a unified view for possible solutions to these problems.

6. CONCLUSION

We have shown that the world of learning and optimization of stochastic dynamic systems can be built upon the two performance sensitivity formulas. This sensitivity-based view not only provides a unified framework for existing approaches, but also points to the direction for new research topics. Event-based optimization, which have advantages over the state-based approaches, may be solved along that direction. Much work need to be done in that direction.

REFERENCES

- K. J. Åström and B. Wittenmark. *Adaptive Control*. Addison-Wesley, Reading, Massachusetts, 1989.
- J. Baxter and P. L. Bartlett. Infinite-horizon policy-gradient estimation. *Journal of Artificial Intelligence Research*, 15:319–350, 2001.
- J. Baxter, P. L. Bartlett, and L. Weaver. Experiments with infinite-horizon policy-gradient estimation. *Journal of Artificial Intelligence Research*, 15:351–381, 2001.
- D. P. Bertsekas. *Dynamic Programming and Optimal Control*. Volumes I and II. Athena Scientific, Belmont, Massachusetts, 1995, 2001, 2007.
- D. P. Bertsekas and T. N. Tsitsiklis. *Neuro-Dynamic Programming*. Athena Scientific, Belmont, Massachusetts, 1996.
- X. R. Cao. A basic formula for online policy gradient algorithms. *IEEE Transactions on Automatic Control*, 50(5):696–699, 2005.
- X. R. Cao. *Realization Probabilities: The Dynamics of Queueing Systems*. Springer-Verlag, New York, 1994.
- X. R. Cao. *Stochastic Learning and Optimization - A Sensitivity-Based Approach*. Springer, New York, 2007.
- C. G. Cassandras and S. Lafortune. *Introduction to Discrete Event Systems*. Kluwer Academic Publishers, Boston, 1999.
- C. G. Cassandras, G. Sun, C. G. Panayiotou, and Y. Wardi. Perturbation analysis and control of two-class stochastic fluid models for communication networks. *IEEE Transactions on Automatic Control*, 48(5):770–782, 2003.
- E. Çinlar. *Introduction to Stochastic Processes*. Prentice Hall, Englewood Cliffs, New Jersey, 1975.
- Y. C. Ho and X. R. Cao. *Perturbation Analysis of Discrete-Event Dynamic Systems*. Kluwer Academic Publisher, Boston, 1991.
- Y. C. Ho, Q. C. Zhao, and Q. S. Jia. *Ordinal Optimization: Soft Optimization for Hard Problems*. Springer, New York, 2007.
- Y. C. Ho, Q. C. Zhao, and D. Pepyne. The no free lunch theorem, complexity and computer security. *IEEE Transactions on Automatic Control*, 48:783–793, 2003.
- J. Q. Hu, M. C. Fu, and S. I. Marcus. A model reference adaptive search method for global optimization. *Operations Research*, 55:549–568, 2007.
- S. Kirkpatrick, C. D. Gelatt, and M. P. Vecchi. Optimization by simulated annealing. *Science*, 220:671–680, 1983.
- P. Marbach and T. N. Tsitsiklis. Simulation-based optimization of Markov reward processes. *IEEE Transactions on Automatic Control*, 46(2):191–209, 2001.
- M. L. Puterman. *Markov Decision Processes: Discrete Stochastic Dynamic Programming*. Wiley, New York, 1994.
- R. Y. Rubinstein and D. P. Kroese. *The Cross-Entropy Method: A Unified Approach to Combinational Optimization, Monte-Carlo Simulation, and Machine Learning*. Springer, New York, 2004.
- L. Shi and S. Olafsson. Nested partitions method for global optimization. *Operations Research*, 48:390–407, 2000.
- M. Srinivas and L. M. Patnaik. Genetic algorithms: a survey. *Computer*, 27:17–26, 1994.
- R. S. Sutton and A. G. Barto. *Reinforcement Learning: An Introduction*. MIT Press, Cambridge, Massachusetts, 1998.
- A. F. Veinott. Discrete dynamic programming with sensitive discount optimality criteria. *The Annals of Mathematical Statistics*, 40:1635–1660, 1969.
- P. J. Werbos. Approximate Dynamic Programming for Real-Time Control and Neural Modeling. In D. A. White and D. A. Sofge, editor, *Handbook of Intelligent Control: Neural, Fuzzy, and Adaptive Approaches*, pages 493–525. Van Nostrand Reinhold, New York, 1992.