

Modelling and optimization of a 2-stage compressor train

Adriaen Verheyleweghen
Supervisor: Sigurd Skogestad
Co-supervisor: Johannes Jäschke

October 15th, 2014

Process flowsheet

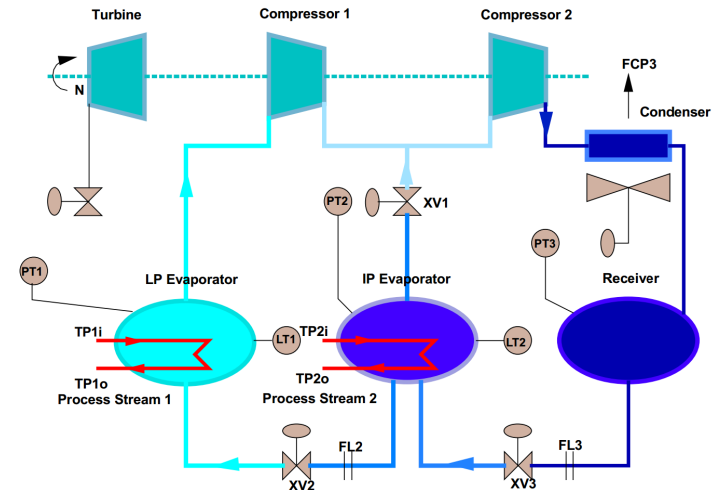
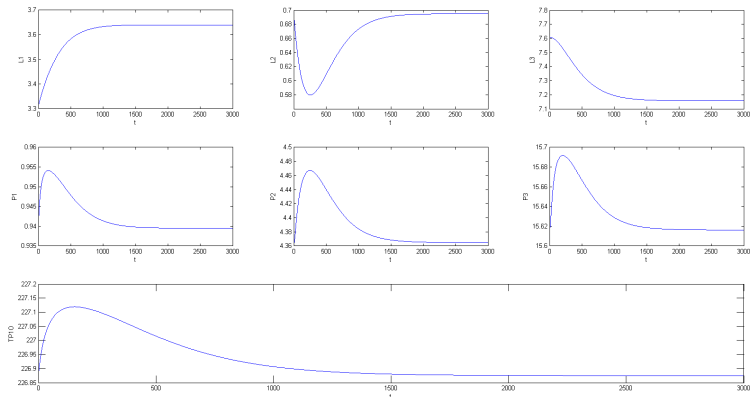


Figure: Responses for some CV-candidates to a setpoint change in L1



- Further investigations of the optimal process conditions (minimizing the energy consumption of the compressors)
- Select the correct pairings based on RGA-analysis.
- Find the optimal controller settings
- Simulate the system and test disturbance rejection, stability etc.